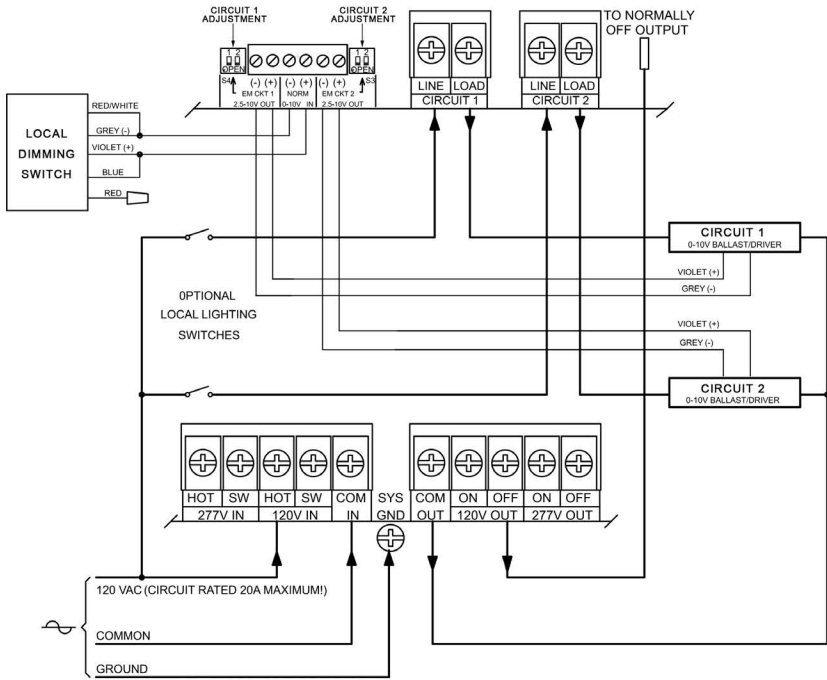


FlexDim Option for EMPV Pro Series 2-Circuit Bypass Dimming

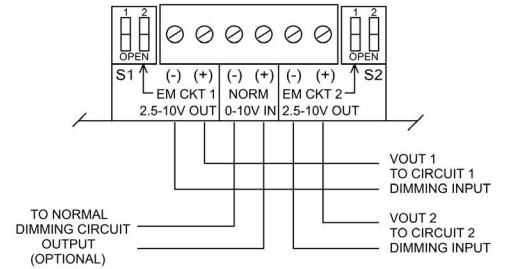
DIMMING OPTION, 120V OPERATION



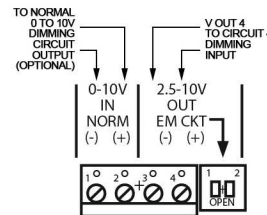
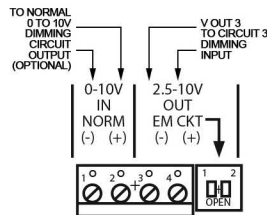
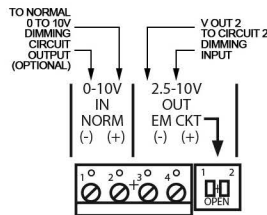
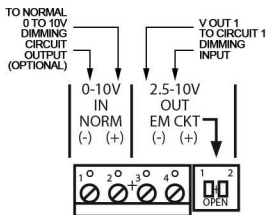
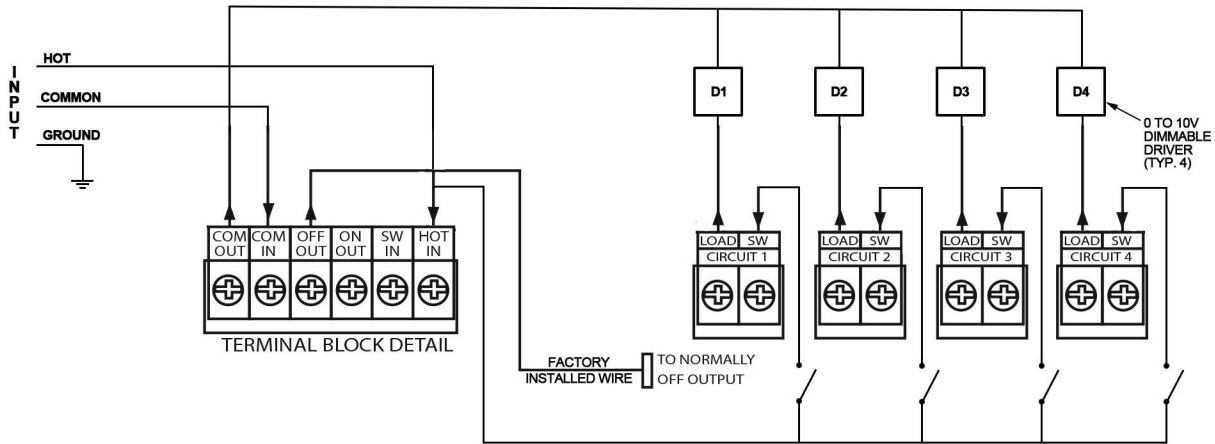
DIMMING OPTION PROGRAMMING TABLE

S1,2-1	S1,2-2	VOUT 1, VOUT 2
OPEN (OFF)	OPEN (OFF)	10.0V
OPEN (OFF)	CLOSED (ON)	7.50V
CLOSED (ON)	OPEN (OFF)	5.00V
CLOSED (ON)	CLOSED (ON)	2.50V

DIMMING OPTION CONTROL WIRING



FlexDim Option for EMPV Expert Series 4-Circuit Bypass Dimming



DIMMING OPTION PROGRAMMING TABLE

S1,2-1	S1,2-2	VOUT 1, VOUT 2
OPEN (OFF)	OPEN (OFF)	10.0V
OPEN (OFF)	CLOSED (ON)	7.50V
CLOSED (ON)	OPEN (OFF)	5.00V
CLOSED (ON)	CLOSED (ON)	2.50V

DIMMING OPTION CONTROL WIRING